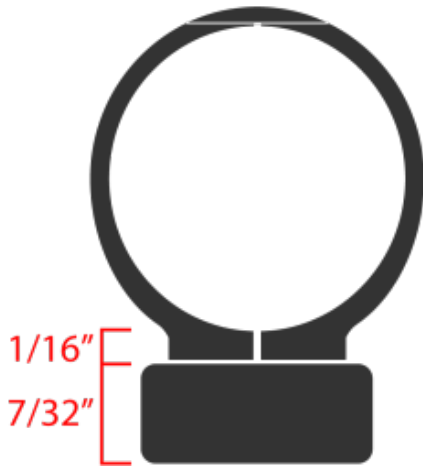


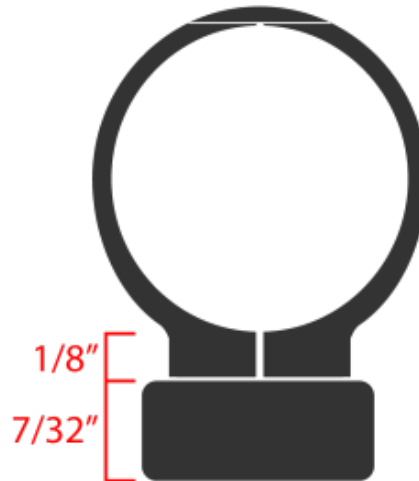
# Conetrol Ring Height Chart

## 1" Ring Sizes

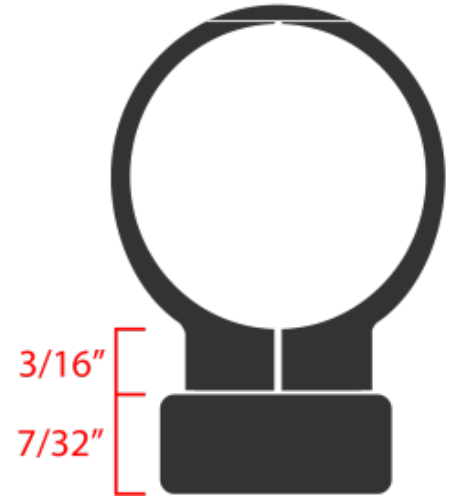
**LOW**



**MEDIUM**

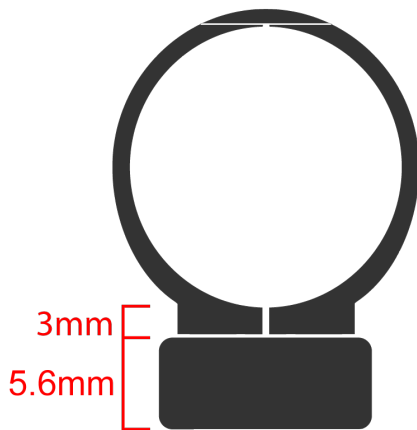


**HIGH**

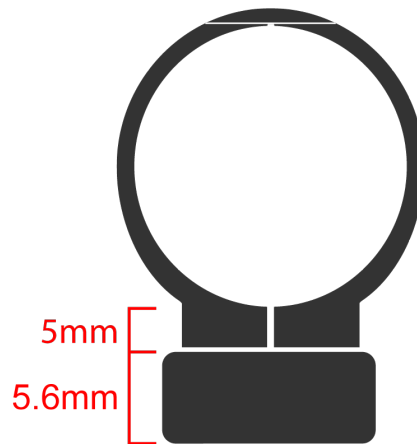


## 30mm Ring Sizes

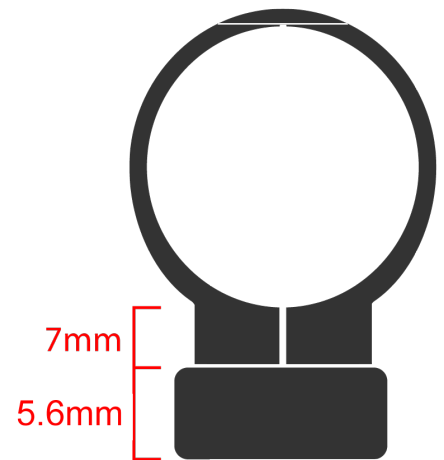
**LOW**



**MEDIUM**



**HIGH**



PLEASE NOTE: Base thickness is over the highest part of the receiver.



[WWW.CONETROL.COM](http://WWW.CONETROL.COM)